

LED POWER PRODUCTS

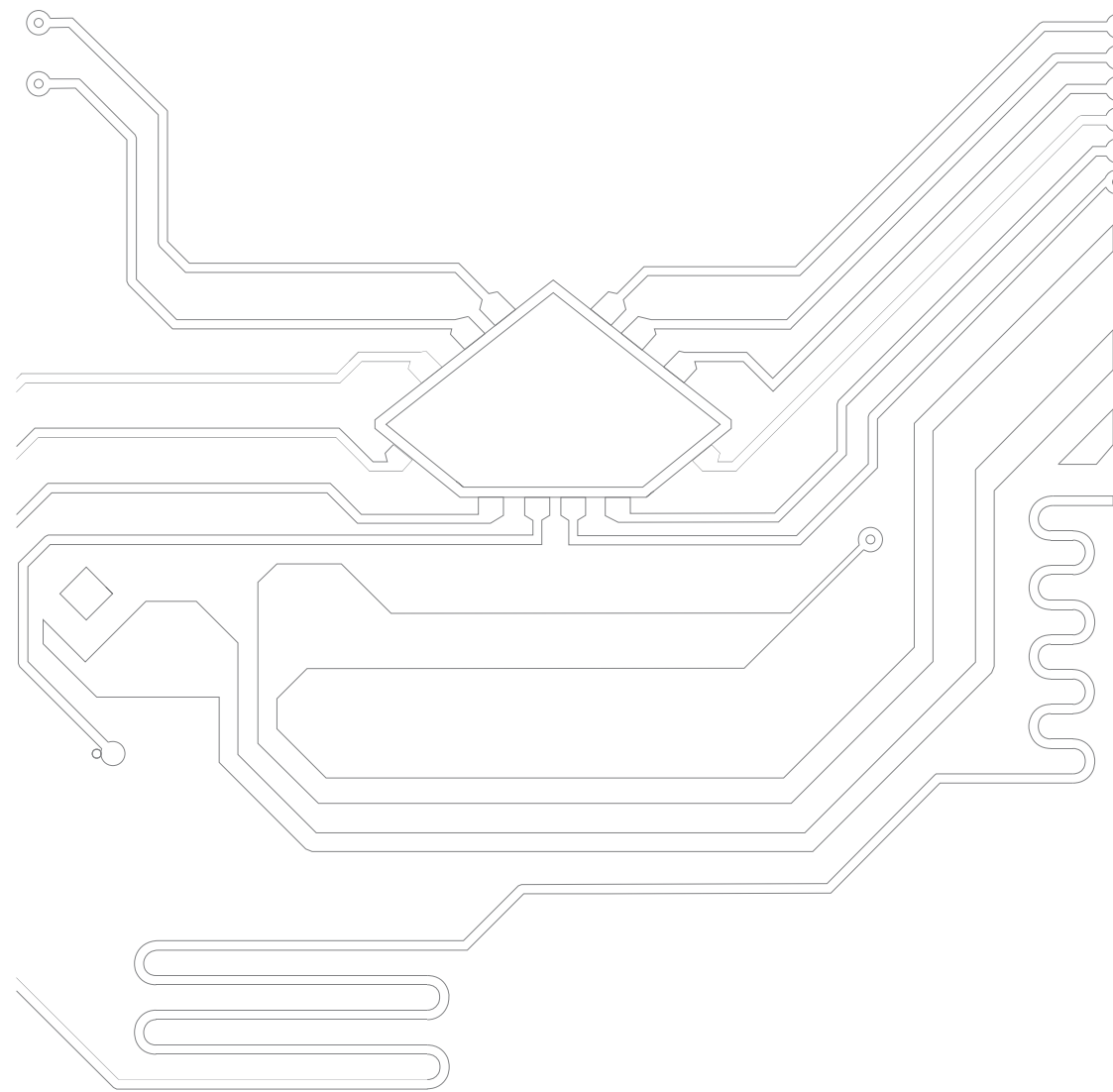


Table of Contents

		14	60W-100W IP67 Constant Current LED Driver
02	Tube Lamp LED Driver	17	120W-200W IP67 Constant Current LED Driver
04	3W-12W B-Series LED Driver	20	IP67 Multichannel Constant Current LED Driver
06	18W-35W R-Series LED Driver	24	IP67 Constant Voltage LED Driver
08	6W-35W P-Series LED Driver	27	LED Driver Type Number Designation
11	6W-35W IP67 Constant Current LED Driver		

PRODUCT DESCRIPTION

The tube lamp series LED driver is suitable for T10, T8 and T5 LED tube lighting applications. The drivers have active power factor correction and because of the high efficiency it is very compact. The tight control loop ensures absence of any flicker. Universal ac input voltage makes world wide operation available.



KEY FEATURES

- Constant current output
- Very high efficiency of 90%
- Active PFC correction
- Protection: Short circuit / Overload / Over voltage
- Design according UL8750 / UL1012
- 5 years warranty

GENERAL SPECIFICATIONS

Lifetime: 50,000 Hrs At 110Vac input, full Load and 50°C ambient temperature

MTBF: 240,000 Hrs 35°C Ground Fixed, 110Vac input, Full load

ENVIRONMENTAL

Operation temperature: -10°C ~+50°C

Storage temperature: -40°C ~+85°C

Humidity: 10% RH to 100% RH

EMC AND SAFETY

Dielectric withstand voltage: I/P-O/P :3.75KVAC OR 5000VDC

Insulation Resistance: I/P-O/P, 10Mohm(500Vdc/25°C/70%RH)

Safety : UL:UL8750, UL1012, UL60950-1 CE:EN61347-1, EN61347-2-13 EN60950-1

EMC: EN 55015, EN 61000-3-2, EN 61000-4-3, EN 61000-4-4, EN 61000-4-5, EN 61000-4-6, EN 61000-4-8, EN 61000-4-11, EN 61547

OVERALL DIMENSIONS: unit (mm)

Model	L	W	H
9W	240	17	10.5
18W	254	17	10.5
21W	254	17	10.5

ELECTRICAL SPECIFICATIONS:

Rated power	Model Number	Input Voltage	Output					
			Iout Set	Voltage		Current Tolerance	PF	Efficiency
				Min	Max			
9W	LP009C01CC025T	85-265V	250mA	12V	36V	3%	99%	84%
	LP009C01CC035T	85-265V	350mA	9V	25V	3%	99%	84%
	LP009C01CC040T	85-265V	400mA	6V	22V	3%	99%	84%
	LP009C01CC050T	85-265V	500mA	3V	18V	3%	99%	84%
18W	LP018C01CC030T	85-265V	300mA	32V	56V	3%	99%	90%
	LP018C01CC035T	85-265V	350mA	28V	52V	3%	99%	90%
	LP018C01CC040T	85-265V	400mA	30V	42V	3%	99%	89%
	LP018C01CC070T	85-265V	700mA	12V	24V	3%	99%	88%
21W	LP021C01CC035T	85-265V	350mA	36V	60V	3%	99%	90%
	LP021C01CC050T	85-265V	500mA	24V	42V	3%	99%	89%
	LP021C01CC070T	85-265V	700mA	12V	30V	3%	99%	89%

PRODUCT DESCRIPTION

The B-series LED driver is suitable for LED bulb lamp and spot light. The drivers have active power factor correction and because of the high efficiency it is very compact. The tight control loop ensures absence of any flicker. Universal ac input voltage makes world wide operation available.



KEY FEATURES

- Constant current output
- High efficiency of 85%
- Active PFC correction
- A variety of dimming control model
- Protection: Short circuit / Overload / Over voltage
- Design according UL8750 / UL1012
- 5 years warranty

ELECTRICAL SPECIFICATIONS:

Rated power	Model Number	Input	Output					
			Voltage	Iout Set	Voltage		Current Tolerance	PF
		Min			Max			
3W	LP003C01CC025B	85-265V	250mA	3V	12V	3%	99%	76%
	LP003C01CC033B	85-265V	330mA	3V	9V	3%	99%	76%
6W	LP006C01CC025B	85-265V	250mA	3V	24V	3%	99%	80%
	LP006C01CC033B	85-265V	330mA	5V	23V	3%	99%	80%
	LP006C01CC050B	85-265V	500mA	3V	12V	3%	99%	79%
8W	LP008C01CC016B	85-265V	160mA	12V	50V	3%	99%	82%
	LP008C01CC025B	85-265V	250mA	8V	32V	3%	99%	81%
	LP008C01CC033B	85-265V	330mA	12V	24V	3%	99%	81%
12W	LPO12C01CC033B	85-265V	330mA	21V	33V	3%	99%	85%
	LPO12C01CC045B	85-265V	450mA	12V	26V	3%	99%	85%
	LPO12C01CC050B	85-265V	500mA	8V	24V	3%	99%	85%
	LPO12C01CC060B	85-265V	600mA	6V	20V	3%	99%	85%
	LPO12C01CC070B	85-265V	700mA	3V	18V	3%	99%	85%

GENERAL SPECIFICATIONS

Lifetime: 50,000 Hrs At 110Vac input, full Load and 50°C ambient temperature

MTBF: 240,000 Hrs 35°C Ground Fixed, 110Vac input, Full load

Turn on time: <1S at 115Vac input at full load.

EMC AND SAFETY

Dielectric withstand voltage: I/P-O/P :3.75KVAC OR 5000VDC

Insulation Resistance: I/P-O/P, 10Mohm(500Vdc/25 C /70%RH)

Safety : UL:UL8750, UL1012, UL60950-1 CE:EN61347-1,EN61347-2-13 EN60950-1

EMC: EN 55015,EN 61000-3-2,EN 61000-4-3,EN 61000-4-4, EN 61000-4-5, EN 61000-4-6, EN 61000-4-8, EN 61000-4-11, EN 61547

ENVIRONMENTAL

Operation temperature: -10°C ~+50°C

Storage temperature: -40°C ~+85°C

Humidity: 10% RH to 100% RH

OVERALL DIMENSIONS: unit (mm)

Model	L	W	H
3W	52.0	22.5	17.5
6W	52.0	22.5	17.5
8W	56.5	22.5	21.0
12W	56.5	22.5	22.5

PRODUCT DESCRIPTION

The R-series LED driver is suitable for LED down lights track light etc. The drivers have active power factor correction and because of the high efficiency it is very compact. The tight control loop ensures absence of any flicker. Universal ac input voltage makes world wide operation available.



KEY FEATURES

- Constant current output
- High efficiency of 89%
- Active PFC correction
- A variety of dimming control model
- Protection: Short circuit / Overload / Over voltage
- Design according UL8750 / UL1012
- 5 years warranty

ELECTRICAL SPECIFICATIONS:

Rated power	Model Number	Input Voltage	Output					
			Iout Set	Voltage		Current Tolerance	PF	Efficiency
		Min		Max				
18W	LP018C01CC033R	85-305V	330mA	33V	56V	3%	99%	89%
	LP018C01CC042R	85-305V	420mA	24V	42V	3%	99%	88%
	LP018C01CC070R	85-305V	700mA	12V	25V	3%	99%	86%
	LP018C01CC105R	85-305V	1.05A	12V	18V	3%	99%	86%
24W	LP024C01CC042R	85-305V	420mA	33V	56V	3%	99%	89%
	LP024C01CC050R	85-305V	500mA	24V	48V	3%	99%	88%
	LP024C01CC070R	85-305V	700mA	12V	34V	3%	99%	87%
	LP024C01CC090R	85-305V	900mA	12V	27V	3%	99%	87%
	LP024C01CC105R	85-305V	1.05A	12V	24V	3%	99%	86%
35W	LP035C01CC050R	85-305V	500mA	24V	60V	3%	99%	89%
	LP035C01CC070R	85-305V	700mA	24V	53V	3%	99%	88%
	LP035C01CC080R	85-305V	800mA	21V	42V	3%	99%	88%
	LP035C01CC090R	85-305V	900mA	12V	38V	3%	99%	88%
	LP035C01CC100R	85-305V	1A	12V	35V	3%	99%	88%
	LP035C01CC140R	85-305V	1.4A	12V	25V	3%	99%	87%

GENERAL SPECIFICATIONS

Lifetime: 50,000 Hrs At 110Vac input, full Load and 50°C ambient temperature

MTBF: 240,000 Hrs 35°C Ground Fixed, 110Vac input, Full load

Turn on time: <1S at 115Vac input at full load.

EMC AND SAFETY

Dielectric withstand voltage: I/P-O/P :3.75KVAC OR 5000VDC

Insulation Resistance: I/P-O/P, 10Mohm(500Vdc/25 C /70%RH)

Safety : UL:UL8750, UL1012, UL60950-1 CE:EN61347-1,EN61347-2-13 EN60950-1

EMC: EN 55015,EN 61000-3-2,EN 61000-4-3,EN 61000-4-4, EN 61000-4-5, EN 61000-4-6, EN 61000-4-8, EN 61000-4-11, EN 61547

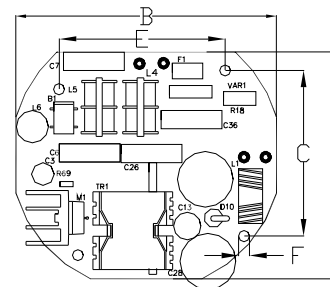
ENVIRONMENTAL

Operation temperature: -10°C ~ +50°C

Storage temperature: -40°C ~ +85°C

Humidity: 10% RH to 100% RH

OVERALL DIMENSIONS: unit (mm)



Model	A	B	C	E	F	H
18W	58	58	48.5	48.8	3.2	23
24W	58	58	48.5	48.8	3.2	23
35W	66.5	76.5	48.5	48.8	3.2	23

NOTE All the parameters above are standard products. The requirement of parameters can be designed according to your request.

PRODUCT DESCRIPTION

The P-series LED driver is suitable for LED down lights, track light, ceiling light etc. The drivers have active power factor correction and because of the high efficiency it is very compact. The tight control loop ensures absence of any flicker. Universal ac input voltage makes world wide operation available.



KEY FEATURES

- Constant current output
- High efficiency of 89%
- Active PFC correction
- A variety of dimming control model
- Protection: Short circuit / Overload / Over voltage
- Design according UL8750 / UL1012
- 5 years warranty

GENERAL SPECIFICATIONS

Lifetime: 50,000 Hrs At 110Vac input, full Load and 50°C ambient temperature

MTBF: 240,000 Hrs 35°C Ground Fixed, 110Vac input, Full load

Turn on time: <1S at 115Vac input at full load.

EMC AND SAFETY

Dielectric withstand voltage: I/P-O/P :3.75KVAC OR 5000VDC

Insulation Resistance: I/P-O/P, 10Mohm(500Vdc/25 C/70%RH)

Safety : UL:UL8750, UL1012, UL60950-1 CE:EN61347-1,EN61347-2-13 EN60950-1

EMC: EN 55015,EN 61000-3-2,EN 61000-4-3,EN 61000-4-4, EN 61000-4-5, EN 61000-4-6, EN 61000-4-8, EN 61000-4-11, EN 61547

ELECTRICAL SPECIFICATIONS:

Rated power	Model Number	Input	Output					
			Voltage	Iout Set	Voltage		Current Tolerance	PF
		Min			Max			
6W	LP006C01CC033P	85-265V	330mA	5V	23V	3%	99%	76%
	LP006C01CC050P	85-265V	500mA	3V	12V	3%	99%	75%
12W	LP012C01CC033P	85-265V	330mA	21V	33V	3%	99%	85%
	LP012C01CC042P	85-265V	420mA	12V	28V	3%	99%	85%
	LP012C01CC050P	85-265V	500mA	8V	24V	3%	99%	85%
	LP012C01CC065P	85-265V	650mA	6V	18V	3%	99%	84%
	LP012C01CC070P	85-265V	700mA	3V	17V	3%	99%	84%
	LP012C01CC100P	85-265V	1A	3V	12V	3%	99%	84%
18W	LP018C01CC033P	85-305V	330mA	33V	56V	3%	99%	89%
	LP018C01CC042P	85-305V	420mA	24V	42V	3%	99%	89%
	LP018C01CC050P	85-305V	500mA	24V	36V	3%	99%	88%
	LP018C01CC070P	85-305V	700mA	12V	25V	3%	99%	86%
	LP018C01CC105P	85-305V	1.05A	12V	18V	3%	99%	86%
24W	LP024C01CC042P	85-305V	420mA	33V	56V	3%	99%	88%
	LP024C01CC050P	85-305V	500mA	24V	48V	3%	99%	87%
	LP024C01CC060P	85-305V	600mA	12V	40V	3%	99%	87%
	LP024C01CC070P	85-305V	700mA	12V	34V	3%	99%	86%
	LP024C01CC090P	85-305V	900mA	12V	27V	3%	99%	86%
	LP024C01CC100P	85-305V	1.00A	12V	24V	3%	99%	86%
35W	LP035C01CC050P	85-305V	500mA	24V	60V	3%	99%	89%
	LP035C01CC070P	85-305V	700mA	24V	53V	3%	99%	88%
	LP035C01CC080P	85-305V	800mA	21V	42V	3%	99%	88%
	LP035C01CC090P	85-305V	900mA	12V	38V	3%	99%	88%
	LP035C01CC100P	85-305V	1A	12V	35V	3%	99%	88%
	LP035C01CC140P	85-305V	1.4A	12V	25V	3%	99%	87%

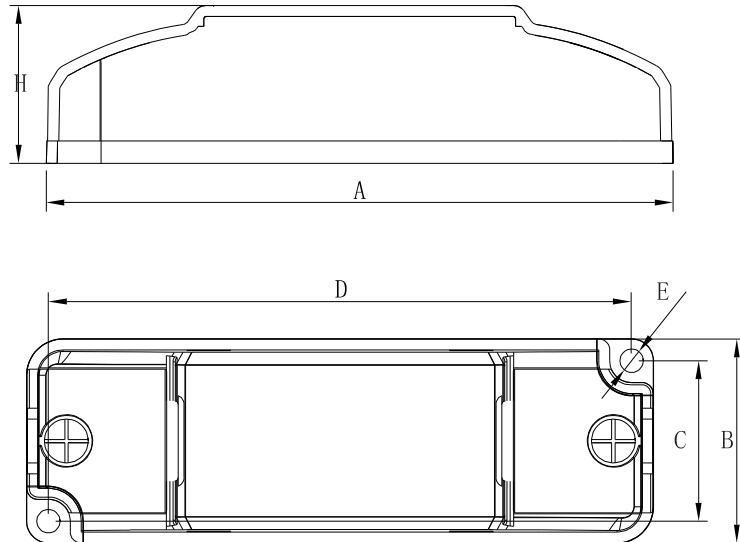
ENVIRONMENTAL

Operation temperature: -10°C ~ +50°C

Storage temperature: -40°C ~ +85°C

Humidity: 10% RH to 100% RH

OVERALL DIMENSIONS: unit (mm)



Model	A	B	C	D	E	H
6W	86.0	28.0	22.0	79.9	3.2	20.5
12W	92.0	31.0	25.0	86.0	3.2	25.0
18W	137.0	35.5	29.0	131.0	3.2	26.0
24W	137.0	35.5	29.0	131.0	3.2	26.0
35W	170.0	38.0	32.0	164.0	3.2	30.0

NOTE All the parameters above are standard products. The requirement of parameters can be designed according to your request.

PRODUCT DESCRIPTION

These waterproof LED drivers are designed for outdoor LED lighting, landscape lighting, wall washer lights, etc. The drivers have active power factor correction and because of the high efficiency it is very compact. Different dimming options are available. These drivers can be used all over the world because of the universal ac input and appliance of relevant safety standards.



KEY FEATURES

- Constant current output
- High efficiency of 89%
- Active PFC
- Lightning protection
- A variety of dimming control models
- Protection: Short circuit / Overload / Over voltage / Over temperature
- IP67, apply to damp and water environment
- Design according UL8750 / UL1012
- 5 years warranty

GENERAL SPECIFICATIONS

Lifetime: 100,000 Hrs At 110Vac input, full Load and 50°C ambient temperature

MTBF: 240,000 Hrs 35°C Ground Fixed, 110Vac input, Full load

Turn on time: <1S at 115Vac input at full load.

Inrush current (Typ): Cold start 65A/230VAC/25°C

EMC AND SAFETY

Dielectric withstand voltage: I/P-O/P :3.75KVAC OR 5000VDC;
I/P-F/G:1.5KVAC; O/P-F/G:500VAC

Insulation Resistance: I/P-O/P, I/P-FG,O/P-FG.
10Mohm/500Vdc/500Vac/25°C/70%RH

Safety : UL:UL8750, UL1012, UL60950-1 CE:EN61347-1, EN61347-2-13 EN60950-1

EMC: EN 55015, EN 61000-3-2, EN 61000-4-3, EN 61000-4-4, EN 61000-4-5, EN 61000-4-6, EN 61000-4-8, EN 61000-4-11, EN 61547

ELECTRICAL SPECIFICATIONS:

Rated power	Model Number	Input	Output					
		Voltage	Iout Set	Voltage		Current Tolerance	PF	Efficiency
				Min	Max			
6W	LP006C01CC033	85-265V	330mA	5V	23V	3%	99%	76%
	LP006C01CC050	85-265V	500mA	3V	12V	3%	99%	75%
12W	LP012C01CC033	85-265V	330mA	21V	33V	3%	99%	85%
	LP012C01CC042	85-265V	420mA	12V	28V	3%	99%	85%
	LP012C01CC050	85-265V	500mA	8V	24V	3%	99%	85%
	LP012C01CC065	85-265V	650mA	6V	18V	3%	99%	84%
	LP012C01CC070	85-265V	700mA	3V	17V	3%	99%	84%
	LP012C01CC100	85-265V	1A	3V	12V	3%	99%	84%
18W	LP018C01CC033	85-305V	330mA	33V	56V	3%	99%	89%
	LP018C01CC042	85-305V	420mA	24V	42V	3%	99%	89%
	LP018C01CC050	85-305V	500mA	24V	36V	3%	99%	88%
	LP018C01CC070	85-305V	700mA	12V	25V	3%	99%	86%
	LP018C01CC105	85-305V	1.05A	12V	18V	3%	99%	86%
24W	LP024C01CC042	85-305V	420mA	33V	56V	3%	99%	88%
	LP024C01CC050	85-305V	500mA	24V	48V	3%	99%	87%
	LP024C01CC060	85-305V	600mA	12V	40V	3%	99%	87%
	LP024C01CC070	85-305V	700mA	12V	34V	3%	99%	86%
	LP024C01CC090	85-305V	900mA	12V	27V	3%	99%	86%
	LP024C01CC100	85-305V	1.00A	12V	24V	3%	99%	86%
35W	LP035C01CC050	85-305V	500mA	24V	60V	3%	99%	89%
	LP035C01CC070	85-305V	700mA	24V	53V	3%	99%	88%
	LP035C01CC080	85-305V	800mA	21V	42V	3%	99%	88%
	LP035C01CC090	85-305V	900mA	12V	38V	3%	99%	88%
	LP035C01CC100	85-305V	1A	12V	35V	3%	99%	88%
	LP035C01CC140	85-305V	1.4A	12V	25V	3%	99%	87%

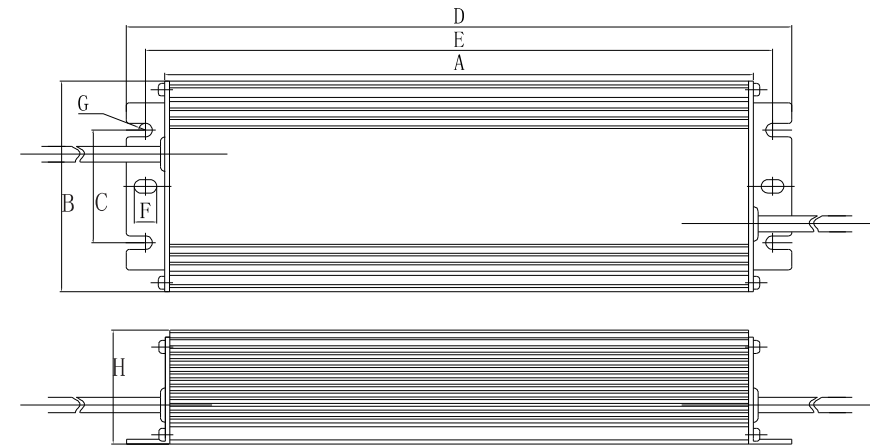
ENVIRONMENTAL

Operation temperature: -35 C ~+70 C

Storage temperature: -40 C ~+85 C

Humidity: 10% RH to 100% RH

OVERALL DIMENSIONS: unit (mm)



Model	A	B	C	D	E	F	G	H
6W	59.0	38.5	25.0	79.0	69.0	8.0	2.1	26.5
12W	70.0	38.5	25.0	90.0	80.0	8.0	2.1	26.5
18W	113.0	38.5	25.0	133.0	123.0	8.0	2.1	26.5
24W	113.0	38.5	25.0	133.0	123.0	8.0	2.1	26.5
35W	148.5	38.5	25.0	168.5	138.5	8.0	2.1	26.5

NOTE All the parameters above are standard products. The requirement of parameters can be designed according to your request.

PRODUCT DESCRIPTION

These waterproof LED drivers are designed for outdoor LED lighting, landscape lighting, wall washer lights, street lights, tunnel lights etc. The drivers have active power factor correction and because of the high efficiency it is very compact. Different dimming options are available. These drivers can be used all over the world because of the universal ac input and appliance of relevant safety standards.



KEY FEATURES

- Constant current output
- High efficiency of 90%
- Active PFC
- Lightning protection
- A variety of dimming control models
- Protection: Short circuit / Overload / Over voltage / Over temperature
- IP67, apply to damp and water environment
- Design according UL8750 / UL1012
- 5 years warranty

GENERAL SPECIFICATIONS

Lifetime: 100,000 Hrs At 110Vac input, full Load and 50°C ambient temperature

MTBF: 240,000 Hrs 35°C Ground Fixed, 110Vac input, Full load

Turn on time: <1S at 115Vac input at full load.

Inrush current (Typ): Cold start 65A/230VAC/25°C

ENVIRONMENTAL

Operation temperature: -35°C ~ +70°C

Storage temperature: -40°C ~ +85°C

Humidity: 10% RH to 100% RH

ELECTRICAL SPECIFICATIONS:

Rated power	Model Number	Input Voltage	Iout Set	Output Voltage		Current Tolerance	PF	Efficiency
				Min	Max			
60W	LP060C01CC070	85-305V	700mA	24V	56V	3%	99%	90%
	LP060C01CC100	85-305V	1A	24V	56V	3%	99%	90%
	LP060C01CC120	85-305V	1.2A	24V	48V	3%	99%	90%
	LP060C01CC140	85-305V	1.4A	24V	46V	3%	99%	90%
	LP060C01CC175	85-305V	1.75A	18V	36V	3%	99%	89%
	LP060C01CC210	85-305V	2.1A	12V	25V	3%	99%	89%
	LP060C01CC250	85-305V	2.5A	12V	25V	3%	99%	89%
75W	LP075C01CC140	85-305V	1.4A	24V	54V	3%	99%	90%
	LP075C01CC160	85-305V	1.6A	24V	48V	3%	99%	90%
	LP075C01CC175	85-305V	1.75A	24V	42V	3%	99%	90%
	LP075C01CC210	85-305V	2.1A	18V	36V	3%	99%	89%
	LP075C01CC240	85-305V	2.4A	12V	32V	3%	99%	89%
	LP075C01CC280	85-305V	2.8A	12V	26V	3%	99%	89%
	LP075C01CC315	85-305V	3.15A	12V	24V	3%	99%	89%
100W	LP100C01CC175	85-305V	1.75A	36V	58V	3%	99%	90%
	LP100C01CC210	85-305V	2.1A	24V	48V	3%	99%	90%
	LP100C01CC245	85-305V	2.45A	12V	42V	3%	99%	90%
	LP100C01CC280	85-305V	2.8A	18V	36V	3%	99%	89%
	LP100C01CC315	85-305V	3.15A	12V	32V	3%	99%	89%
	LP100C01CC350	85-305V	3.5A	12V	28V	3%	99%	89%
	LP100C01CC420	85-305V	4.2A	12V	24V	3%	99%	89%

EMC AND SAFETY

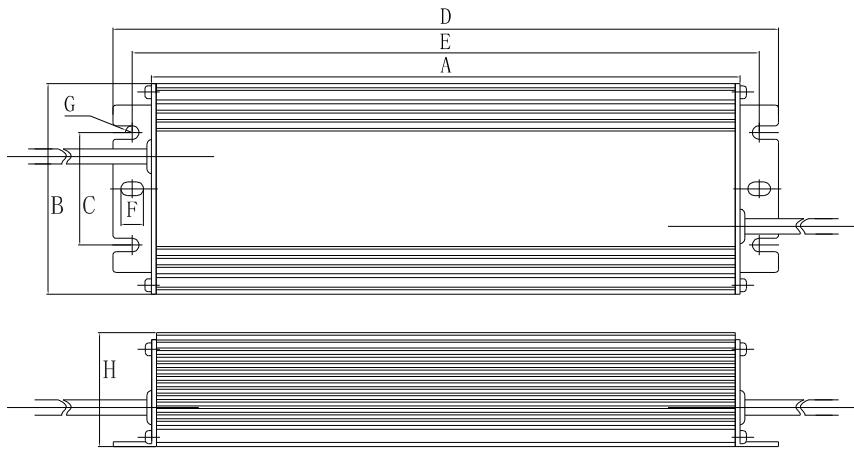
Dielectric withstand voltage: I/P-O/P :3.75KVAC OR 5000VDC;
I/P-F/G:1.5KVAC; O/P-F/G:500VAC

Insulation Resistance: I/P-O/P, I/P-FG,O/P-FG,
10Mohm/500Vdc/500Vac/25°C /70%RH

Safety : UL:UL8750, UL1012, UL60950-1 CE:EN61347-1,EN61347-2-13 EN60950-1

EMC: EN 55015,EN 61000-3-2,EN 61000-4-3,EN 61000-4-4, EN 61000-4-5, EN 61000-4-6, EN 61000-4-8, EN 61000-4-11, EN 61547

OVERALL DIMENSIONS: unit (mm)



Model	A	B	C	D	E	F	G	H
60W	172.0	43.0	22.0	192.0	184.5	7.0	6.0	33.2
75W	151.0	65.5	35.0	175.0	163	7.0	4.2	35.5
100W	183.0	65.5	35.0	217.0	205	7.0	4.2	35.5

NOTE All the parameters above are standard products. The requirement of parameters can be designed according to your request.

PRODUCT DESCRIPTION

These waterproof LED drivers are designed for outdoor LED lighting, landscape lighting, wall washer lights, street lights, tunnel lights, mining lamps etc. The drivers have active power factor correction and because of the high efficiency it is very compact. Different dimming options are available. These drivers can be used all over the world because of the universal ac input and appliance of relevant safety standards.



KEY FEATURES

- Constant current output
- High efficiency of 92%
- Active PFC
- Lightning protection
- A variety of dimming control models
- Protection: Short circuit / Overload / Over voltage / Over temperature
- IP67, apply to damp and water environment
- Design according UL8750 / UL1012
- 5 years warranty

GENERAL SPECIFICATIONS

Lifetime: 100,000 Hrs At 110Vac input, full Load and 50°C ambient temperature

MTBF: 240,000 Hrs 35°C Ground Fixed, 110Vac input, Full load

Turn on time: <1S at 115Vac input at full load.

Inrush current (Typ): Cold start 65A/230VAC/25°C

ENVIRONMENTAL

Operation temperature: -35°C ~+70°C

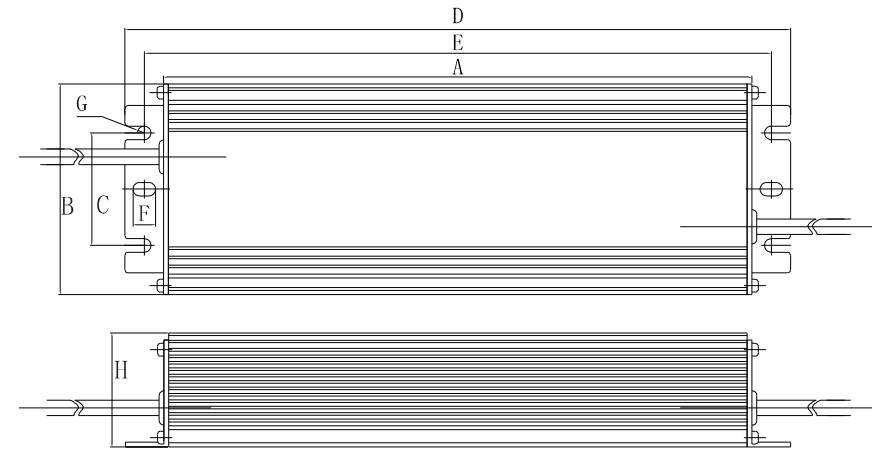
Storage temperature: -40°C ~+85°C

Humidity: 10% RH to 100% RH

ELECTRICAL SPECIFICATIONS:

Rated power	Model Number	Input		Output				
		Voltage	Iout Set	Voltage		Current Tolerance	PF	Efficiency
				Min	Max			
120W	LP120C01CC210	85-305V	2.1A	36V	56V	3%	95%	92%
	LP120C01CC250	85-305V	2.5A	24V	48V	3%	95%	92%
	LP120C01CC280	85-305V	2.8A	12V	42V	3%	95%	92%
	LP120C01CC315	85-305V	3.15A	18V	38V	3%	95%	91%
	LP120C01CC350	85-305V	3.5A	12V	34V	3%	95%	91%
	LP120C01CC420	85-305V	4.2A	12V	28V	3%	95%	90%
	LP120C01CC500	85-305V	5A	12V	24V	3%	95%	90%
150W	LP150C01CC250	85-305V	2.5A	36V	58V	3%	95%	92%
	LP150C01CC280	85-305V	2.8A	24V	54V	3%	95%	92%
	LP150C01CC320	85-305V	3.2A	25V	48V	3%	95%	92%
	LP150C01CC350	85-305V	3.5A	18V	43V	3%	95%	92%
	LP150C01CC420	85-305V	4.2A	12V	36V	3%	95%	91%
	LP150C01CC500	85-305V	5A	12V	30V	3%	95%	91%
	LP150C01CC560	85-305V	5.6A	12V	26V	3%	95%	90%
	LP150C01CC600	85-305V	6A	12V	25V	3%	95%	90%
200W	LP200C01CC280	85-305V	2.8A	36V	62V	3%	95%	92%
	LP200C01CC320	85-305V	3.2A	36V	62V	3%	95%	92%
	LP200C01CC350	85-305V	3.5A	32V	56V	3%	95%	92%
	LP200C01CC420	85-305V	4.2A	24V	47V	3%	95%	92%
	LP200C01CC490	85-305V	4.9A	24V	40V	3%	95%	92%
	LP200C01CC525	85-305V	5.25A	18V	38V	3%	95%	91%
	LP200C01CC560	85-305V	5.6A	12V	35V	3%	95%	91%
	LP200C01CC600	85-305V	6A	12V	33V	3%	95%	91%
LP200C01CC700	85-305V	7A	12V	28V	3%	95%	90%	

OVERALL DIMENSIONS: unit (mm)



Model	A	B	C	D	E	F	G	H
120W	183.0	65.5	35.0	217.0	205	7.0	4.2	35.5
150W	190.0	65.5	35.0	224.0	212	7.0	4.2	35.5
200W	204.0	80.5	45.5	238.0	226	7.0	4.2	35.5

NOTE All the parameters above are standard products. The requirement of parameters can be designed according to your request.

EMC AND SAFETY

Dielectric withstand voltage: I/P-O/P :3.75KVAC OR 5000VDC;
I/P-F/G:1.5KVAC, O/P-F/G:500VAC

Insulation Resistance: I/P-O/P, I/P-FG,O/P-FG,
10Mohm/500Vdc/500Vac/25 C /70%RH

Safety : UL:UL8750, UL1012, UL60950-1 CE:EN61347-1,EN61347-2-13 EN60950-1

EMC: EN 55015,EN 61000-3-2,EN 61000-4-3,EN 61000-4-4, EN 61000-4-5,
EN 61000-4-6, EN 61000-4-8, EN 61000-4-11, EN 61547

PRODUCT DESCRIPTION

These waterproof LED drivers are designed for outdoor LED lighting, landscape lighting, wall washer lights, street lights, tunnel lights, mining lamps etc. Every LED string is independently controlled to achieve longest lifetime for the LED lamps. Different dimming options are available. These drivers can be used all over the world because of the universal ac input and appliance of relevant safety standards.



KEY FEATURES

- Constant current output
- High efficiency of 92%
- Active PFC
- Lightning protection
- A variety of dimming control models
- Protection: Short circuit / Overload / Over voltage / Over temperature
- IP67, apply to damp and water environment
- Design according UL8750 / UL1012
- 5 years warranty

ELECTRICAL SPECIFICATIONS:

Rated power	Model Number	Input	Output						
		Voltage	Iout Set	Multichannel	Voltage		Current Tolerance	PF	Efficiency
					Min	Max			
35W	LP035C02CC033	85-265V	330mA	2	36V	52V	3%	99%	91%
50W	LP050C04CC033	85-265V	330mA	4	36V	50V	3%	99%	92%
	LP050C02CC070	85-265V	700mA	2	12V	36V	3%	99%	92%
70W	LP070C04CC033	85-265V	330mA	4	36V	52V	3%	99%	92%
	LP070C02CC070	85-265V	700mA	2	36V	50V	3%	99%	92%
100W	LP100C06CC033	85-265V	330mA	6	36V	52V	3%	99%	92%
	LP100C03CC070	85-265V	700mA	3	24V	48V	3%	99%	92%
120W	LP120C07CC033	85-265V	330mA	7	24V	52V	3%	99%	92%
	LP120C04CC070	85-265V	700mA	4	24V	42V	3%	99%	92%
150W	LP150C09CC033	85-265V	330mA	9	42V	56V	3%	99%	92%
	LP150C04CC070	85-265V	700mA	4	36V	52V	3%	99%	92%
200W	LP200C12CC033	85-265V	330mA	12	42V	56V	3%	99%	92%
	LP200C06CC070	85-265V	700mA	6	24V	47V	3%	99%	92%

GENERAL SPECIFICATIONS

Lifetime: 100,000 Hrs At 110Vac input, full Load and 50°C ambient temperature

MTBF: 240,000 Hrs 35°C Ground Fixed, 110Vac input, Full load

Turn on time: <1S at 115Vac input at full load.

Inrush current (Typ): Cold start 65A/230VAC/25°C

EMC AND SAFETY

Dielectric withstand voltage: I/P-O/P :3.75KVAC OR 5000VDC;
I/P-F/G:1.5KVAC: O/P-F/G:500VAC

Insulation Resistance: I/P-O/P, I/P-FG,O/P-FG,
10Mohm/500Vdc/500Vac/25°C/70%RH

Safety : UL:UL8750, UL1012, UL60950-1 CE:EN61347-1,EN61347-2-13 EN60950-1

EMC: EN 55015,EN 61000-3-2,EN 61000-4-3,EN 61000-4-4, EN 61000-4-5,
EN 61000-4-6, EN 61000-4-8, EN 61000-4-11, EN 61547

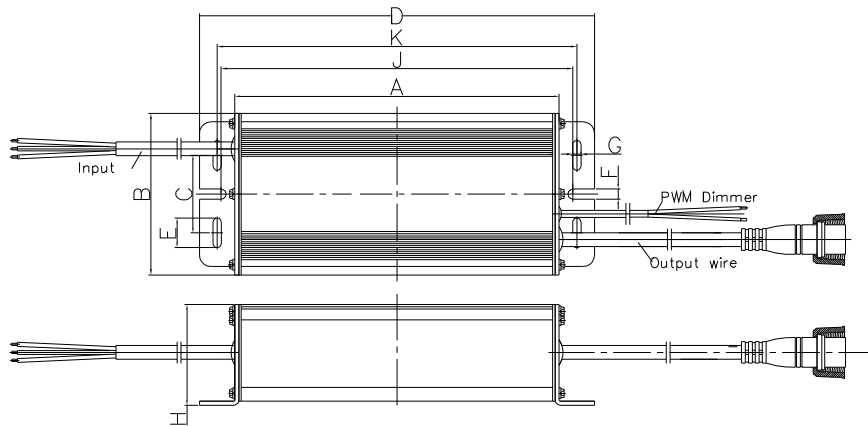
ENVIRONMENTAL

Operation temperature: -35°C ~+70°C

Storage temperature: -40°C ~+85°C

Humidity: 10% RH to 100% RH

OVERALL DIMENSIONS: unit (mm)

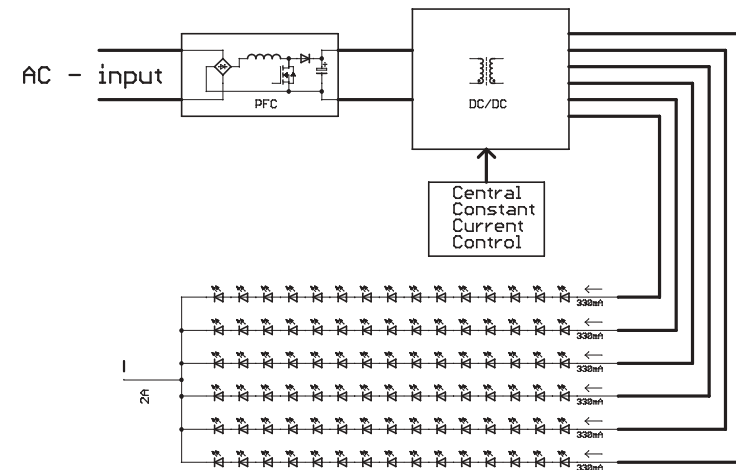


Model	A	B	C	D	E	F	G	H	J	K
35W	136.0	61.4	39.0	164.0	15.0	5.0	4.2	45.3	149.0	149.0
50W	164.0	82.0	39.0	200.0	15.0	5.0	4.2	51.0	178.8	182.4
75W	164.0	82.0	39.0	200.0	15.0	5.0	4.2	51.0	178.8	182.4
100W	187.8	85.0	39.3	224.5	15.0	6.0	4.2	51.0	205.8	205.8
120W	187.8	85.0	39.3	224.5	15.0	6.0	4.2	51.0	205.8	205.8
150W	235.8	106.0	53.2	272.5	15.0	6.0	4.2	51.0	248.5	252.0
200W	242.8	106.0	53.2	279.5	15.0	6.0	4.2	51.0	255.5	259.0

NOTE All the parameters above are standard products. The requirement of parameters can be designed according to your request.

Why use a multichannel powersupply for LED light?

- LED lights can not be connected in parallel without giving in on lifetime. This is because all LED's have a different working voltage and the LED with the lowest working voltage will take most of the power. This LED will get a higher temperature than the others and it will consequently lower its working voltage. This effect has a tendency to thermal runaway but will usually stabilize at a high temperature for a single LED or string of LED's resulting in poor lifetimes.
- The LP-multichannel powersupplies will control the current through every string of LED's separately resulting in equal lumen intensity and uncompromised lifetime figures for your valuable LED lamps



PRODUCT DESCRIPTION

The waterproof LED driver is suitable for LED outdoor lighting, landscape lighting, RGB lamps etc. The drivers have active power factor correction and because of the high efficiency it is very compact. The tight control loop ensures absence of any flicker. Universal ac input voltage makes world wide operation available.



KEY FEATURES

- Constant voltage output
- Very high efficiency of 92%
- Active PFC
- Lightning protection function
- Protection: Short circuit / Overload / Over voltage / Over current / Over temperature
- IP67, apply to damp and water environment
- Design according UL8750 / UL1012
- 5 years warranty

GENERAL SPECIFICATIONS

Lifetime: 100,000 Hrs At 110Vac input, full Load and 50°C ambient temperature

MTBF: 240,000 Hrs 35°C Ground Fixed, 110Vac input, Full load

Turn on time: <1S at 115Vac input at full load.

Inrush current (Typ): Cold start 65A/230VAC/25 C

ENVIRONMENTAL

Operation temperature: -35°C ~ +70°C

Storage temperature: -40°C ~ +85°C

Humidity: 10% RH to 100% RH

ELECTRICAL SPECIFICATIONS:

Rated power	Model Number	Input	Output				
		Voltage	Iout Set	Voltage	Voltage Tolerance	PF	Efficiency
35W	LP035C01CV024	85-305V	1.4A	24V	1%	99%	87%
	LP035C01CV036	85-305V	0.97A	36V	1%	99%	87%
	LP035C01CV042	85-305V	0.83A	42V	1%	99%	89%
	LP035C01CV048	85-305V	0.75A	48V	1%	99%	89%
50W	LP050C01CV024	85-305V	2.1A	24V	1%	99%	90%
	LP050C01CV036	85-305V	1.38A	36V	1%	99%	90%
	LP050C01CV042	85-305V	1.2A	42V	1%	99%	91%
	LP050C01CV048	85-305V	1.05A	48V	1%	99%	91%
75W	LP075C01CV024	85-305V	3.1A	24V	1%	99%	89%
	LP075C01CV036	85-305V	2.1A	36V	1%	99%	89%
	LP075C01CV042	85-305V	1.8A	42V	1%	99%	91%
	LP075C01CV048	85-305V	1.6A	48V	1%	99%	91%
100W	LP100C01CV024	85-305V	4.2A	24V	1%	99%	90%
	LP100C01CV036	85-305V	2.8A	36V	1%	99%	90%
	LP100C01CV042	85-305V	2.4A	42V	1%	99%	92%
	LP100C01CV048	85-305V	2.1A	48V	1%	99%	92%
120W	LP120C01CV024	85-305V	5A	24V	1%	99%	90%
	LP120C01CV036	85-305V	3.5A	36V	1%	99%	90%
	LP120C01CV042	85-305V	2.8A	42V	1%	99%	92%
	LP120C01CV048	85-305V	2.5A	48V	1%	99%	92%
150W	LP150C01CV024	85-305V	6.3A	24V	1%	99%	90%
	LP150C01CV036	85-305V	4.2A	36V	1%	99%	90%
	LP150C01CV042	85-305V	3.6A	42V	1%	99%	92%
	LP150C01CV048	85-305V	3.1A	48V	1%	99%	92%
200W	LP200C01CV024	85-305V	8.3A	24V	1%	99%	92%
	LP200C01CV036	85-305V	5.55A	36V	1%	99%	92%
	LP200C01CV042	85-305V	4.8A	42V	1%	99%	93%
	LP200C01CV048	85-305V	4.2A	48V	1%	99%	93%

EMC AND SAFETY

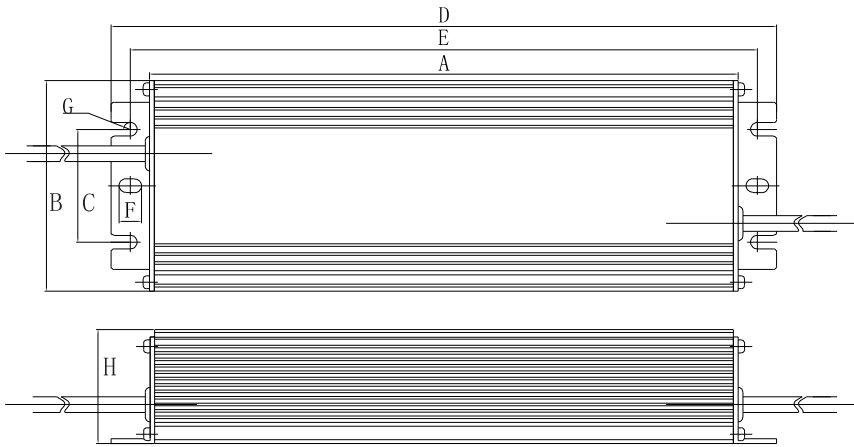
Dielectric withstand voltage: I/P-O/P :3.75KVAC OR 5000VDC;
I/P-F/G:1.5KVAC; O/P-F/G:500VAC

Insulation Resistance: I/P-O/P, I/P-FG,O/P-FG.
10Mohm/500Vdc/500Vac/25°C/70%RH

Safety : UL:UL8750, UL1012, UL60950-1 CE:EN61347-1,EN61347-2-13 EN60950-1

EMC: EN 55015,EN 61000-3-2,EN 61000-4-3,EN 61000-4-4, EN 61000-4-5, EN 61000-4-6, EN 61000-4-8, EN 61000-4-11, EN 61547

OVERALL DIMENSIONS: unit (mm)



Model	A	B	C	D	E	F	G	H
35W	148.5	38.5	25	168.5	138.5	8	4.2	33.5
50W	172	43	22	184	33.2	7	4.2	33.5
75W	151	65.5	35	175	163	7	4.2	35.5
100W	183	65.5	35	217	205	7	4.2	35.5
120W	183	65.5	35	217	205	7	4.2	35.5
150W	190	65.5	35	224	212	7	4.2	35.5
200W	204	80	45	238	226	7	4.2	35.5

NOTE All the parameters above are standard products. The requirement of parameters can be designed according to your request.

